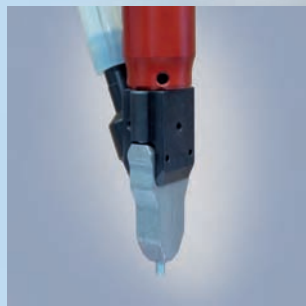
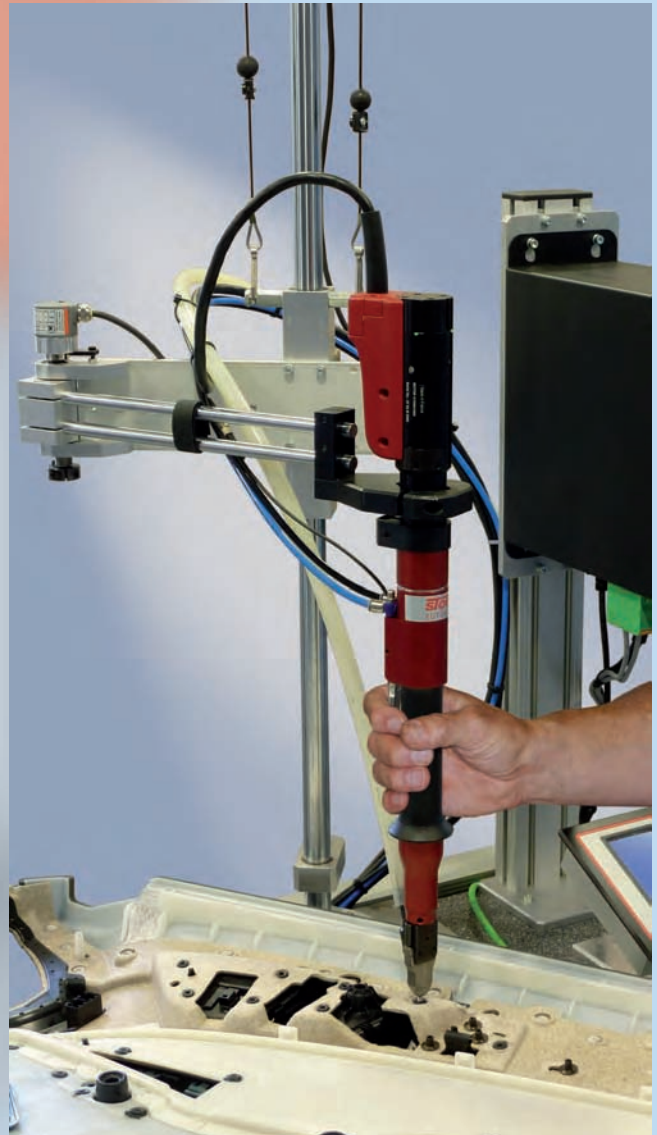


STÖGER Screw and assembly systems

Handscrewdrivers HSF/HST Series

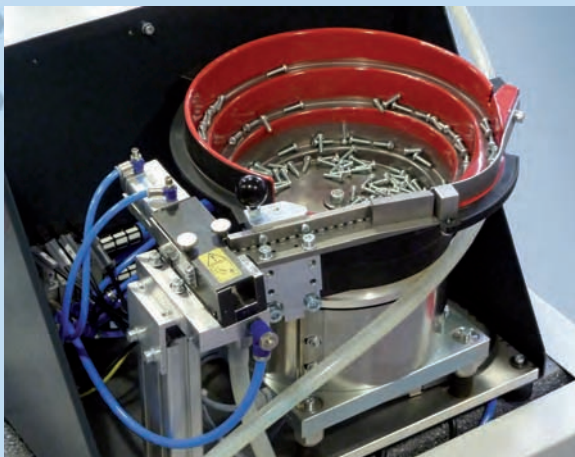
with automatic
feeding

Simple
Flexible
Economical
Service friendly
Choice of
motor supplier



HSF Screwdriver head

Feeder and control unit ZSE



Advantages

- Easy handling
- Individual and customized solutions achieved quickly and easily
- Nosepiece according to application
- Pneumatic and electric drives available - consult us on free choice of type and supplier
- Screwdriving parameters adjustable
- Customer interface possible
- High wear resistance - all items that handle the screw are hardened

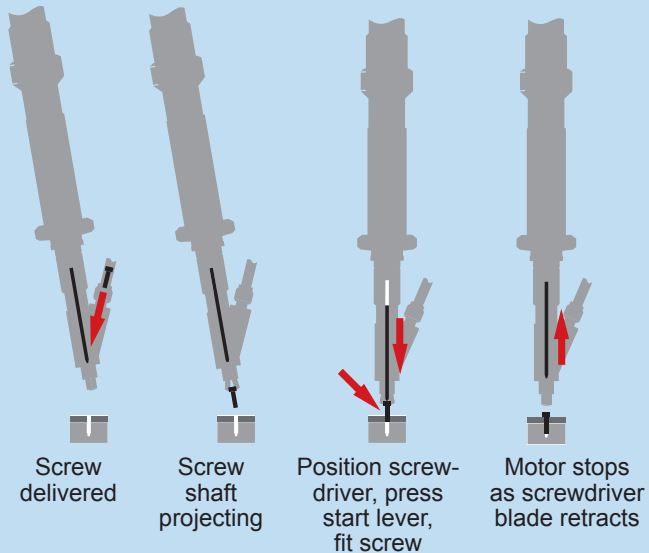
Easy servicing

- Simple tool change
- Simple torque adjustment
- Simple feeding adjustment

HSF

Screwdriver with firmly projecting screw and automatic tool advance.
The projecting screw shaft assists greatly with positioning of the screwdriver.

Function

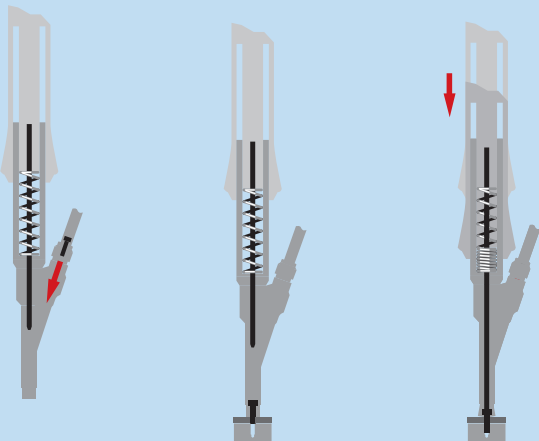


HST

Robust and economical telescope screwdriver for manual assembly.
With Push-Start.



Function

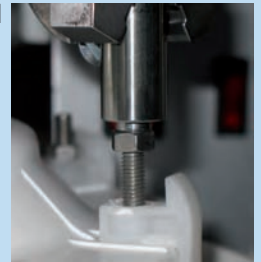


HSF/M (for nuts)

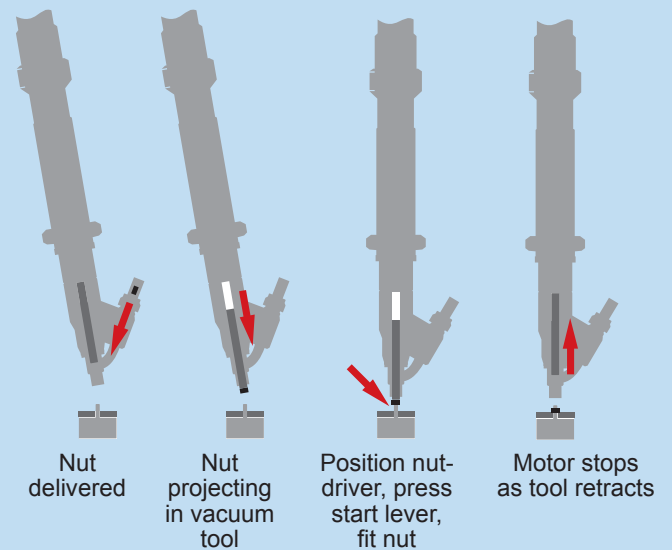
With vacuum tool if required-
Nutdriver is positioned with firmly projecting nut.



HSF/M Nutdriver head with vacuum tool



Function



Control functions

- Operating position control available for hanging attachment
- Process control possible - screw-driving depth, angle and OK/not OK analysis - also with pneumatic drives

Selection of screw types



Selection of thread types



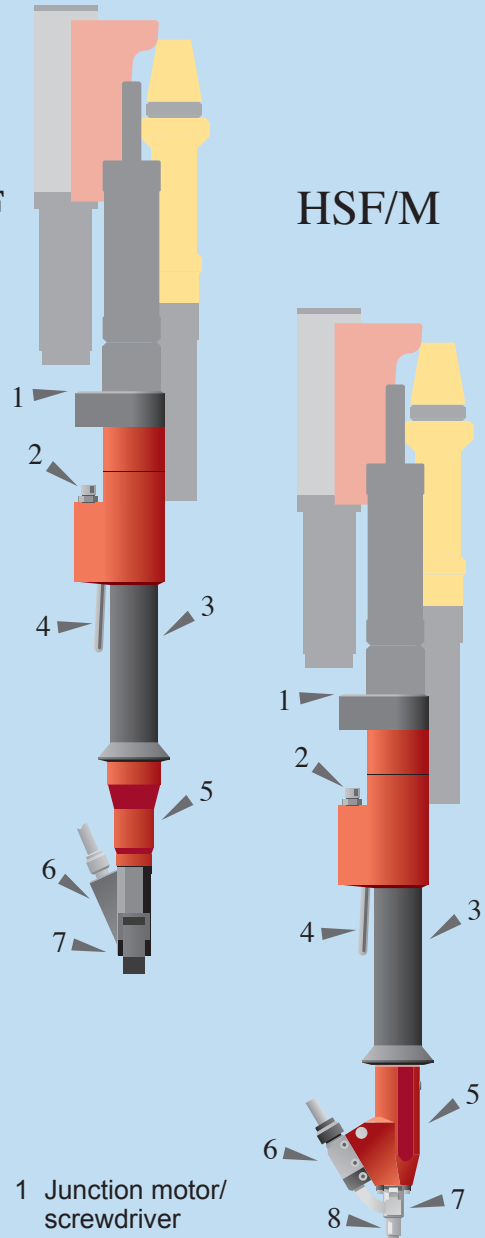
Selection of nut types



Layout

HSF

HSF/M

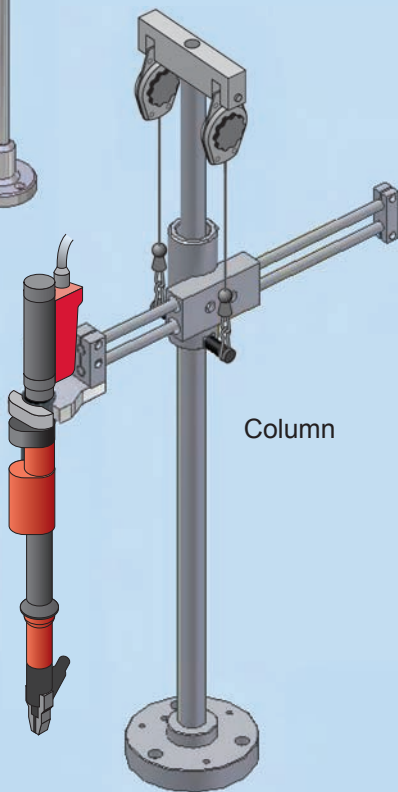
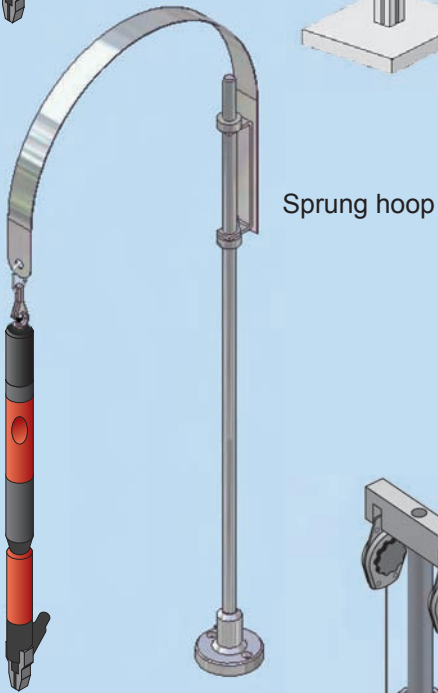
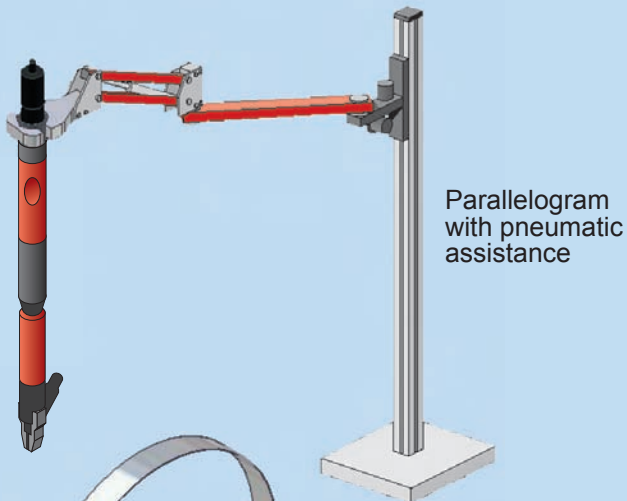


- 1 Junction motor/ screwdriver
- 2 Air connections
- 3 Ergonomic grip
- 4 Startlever
- 5 Screwdriver head
- 6 Feed arm
- 7 Centering jaws
- 8 Nutdriver socket (vacuum version optional)

Technical Data	HST	HSF	HSF/M
Firmly-projecting crew	nein	ja	ja
Automatic tool advance	nein	ja	ja
Choice of motor supplier	ja	ja	ja
Screwhead Ø (mm) min. max.	4,0 9,0	4,0 9,0	- -
Nut size up to	-	-	M6
Weight approx. (kg)	1,1 - 1,3	1,3	1,3
Grip Ø approx. (mm)	34 - 40	37	37
Length approx. (mm)	400	465	465
Pneumatic drive - Motor speed (rpm) Torque (Nm)	600 - 2300 0,6 - 8,0	550 - 2300 0,7 - 8,0	550 - 2300 0,7 - 8,0
Electric drives - EC-Motor Motor speed (rpm) Torque (Nm)	100 - 900 0,2 - 8,0	100 - 900 0,2 - 8,0	100 - 900 0,2 - 8,0
EC-Motor with transducer Motor speed (rpm) Torque (Nm)	100 - 900 0,2 - 8,0	100 - 900 0,2 - 8,0	100 - 900 0,2 - 8,0
Feeder and Control unit - Weight approx. (kg) Bowl capacities (Liters) approx.- Ø 100 mm Ø 180 mm Ø 260 mm Ø 400mm	36 - 42 - 0,4 1,0 2,5	36 - 42 - 0,4 1,0 2,5	36 - 42 - 0,4 1,0 2,5
QS Box - OK/not OK analysis - Customer interface	Optional	Optional	Optional



Hanging attachments

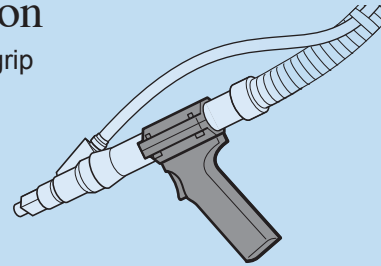


QS Box

- Display
- OK/Not OK analysis
- Counter
- Key pad
- Quit/Cancel function

Option

Pistol grip



TOP 100

We are among the
100 most innovative
companies in Germany !



20.12.11



STÖGER AUTOMATION GmbH · Gewerbering am Brand 1 · D-82549 Königsdorf

☎ ++49(0)8179/99767-0 📠 ++49(0)8179/99767-50 Email stoeger@stoeger.com Internet www.stoeger.com